



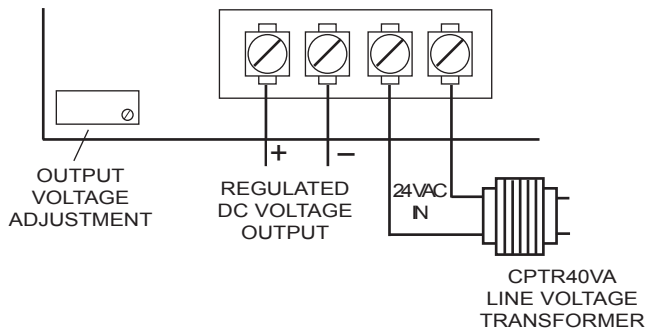
Features:

The Model PW 1.5 is a regulated 1.5 amp power supply that accepts 24 VAC at the input and provides 24 VDC at the output. The PW 1.5 can be ordered with any output voltage from the 1.5V to 27 VDC. Field voltage adjustments may also be made using only a screwdriver. The power supply is provided with a mounting track for easy field application.

These low cost power supplies feature good regulation and have full overcurrent protection.

- Low Cost
- Regulated DC output
- Snap-track mounted
- Screw terminals with pressure plates

Wiring:



Specifications:

Voltage:	Input :	24 VAC, 50/60 Hz
	Output:	24VDC (full wave rectified and regulated) adjustable 1.5V - 27 VDC
Output Current:	1.5 amps (with 75 VA transformer)	
Regulation:	1.5 at full rated current	
Temperature Stability:	1%	
Over-current Protection:	3 amp fuse	
Environment:	Operating Temperature:	0 to 55°C (32° to 130°F)
	Max. Humidity:	95% RH, noncondensing
	Weight:	0.4 lb.
Mounting:	snap-track included	

Ordering Information:

PW1.5DC Power Supply
 CPTR40VA.....120/24Vac 40VA Transformer

